

NOTES:

1. Installations depicted satisfy the requirements of the Florida Building Code, Building 8th Edition (2023) for design wind pressures and overall sizes noted.
2. Wood bucks, wood framing, steel stud framing, concrete and concrete masonry are by others and shall be designed by the architect or engineer of record to resist the loads imparted to them.
3. Wood buck strips and wood frames are assumed S-P-F (G=0.42) or denser. Buck width shall be greater than the window frame width. Tapered or partial width buck strips are not allowed.
4. Concrete masonry installations are assumed at least ASTM C90 normal weight hollow masonry units with a 1-1/4" wall thickness or normal weight concrete with a minimum compressive strength of $f'c = 3,000$ psi.
5. Metal stud frames are assumed to be a minimum 18 gauge 33 KSI steel.
6. Wood screws shall be corrosion resistant and meet the requirements of ANSI/ASME B18.6.1
7. Tapcon masonry anchors shall have a minimum embedment of 1-1/2" or full penetration of concrete masonry unit shell. They shall also have a minimum of 2" edge distance. Install concrete masonry anchors per manufacturer's installation instructions.
8. TEKS screws shall be corrosion resistant and shall be ASTM A510 Grade 1018 or equivalent.
9. Maximum permitted shim thickness is 1/4". Shims shall be non-compressible and load bearing type. Every through-frame fastener shall have a shim.
10. Products are not impact resistant and require approved protection devices if used in wind-borne debris regions.
11. Not for use in High Velocity Hurricane Zone (HVHZ).

CONTENTS:

Sheet 1	Notes
Sheets 2-3	Elevations
Sheet 4	Fin Install to Wood
Sheet 5	Fin Install to Steel Stud
Sheet 6	Frame Install to Wood
Sheet 7	Frame Install to Steel Stud
Sheets 8-9	Frame Install to Concrete or CMU
Sheet 10	Installation Accessories

This item has been digitally signed and sealed by Michael D. Stremmel, PE on the date adjacent to the seal. Printed copies of this document are not considered signed and sealed and the signature must be verified on any electronic copies.

Michael D. Stremmel, PE
FL PE 65868
FL REG 37122
1410 Eden Road
York, PA 17402
717-916-6300



2023.12.12 06:39:21 -05'00'

A handwritten signature in black ink, appearing to read "Michael D. Stremmel".

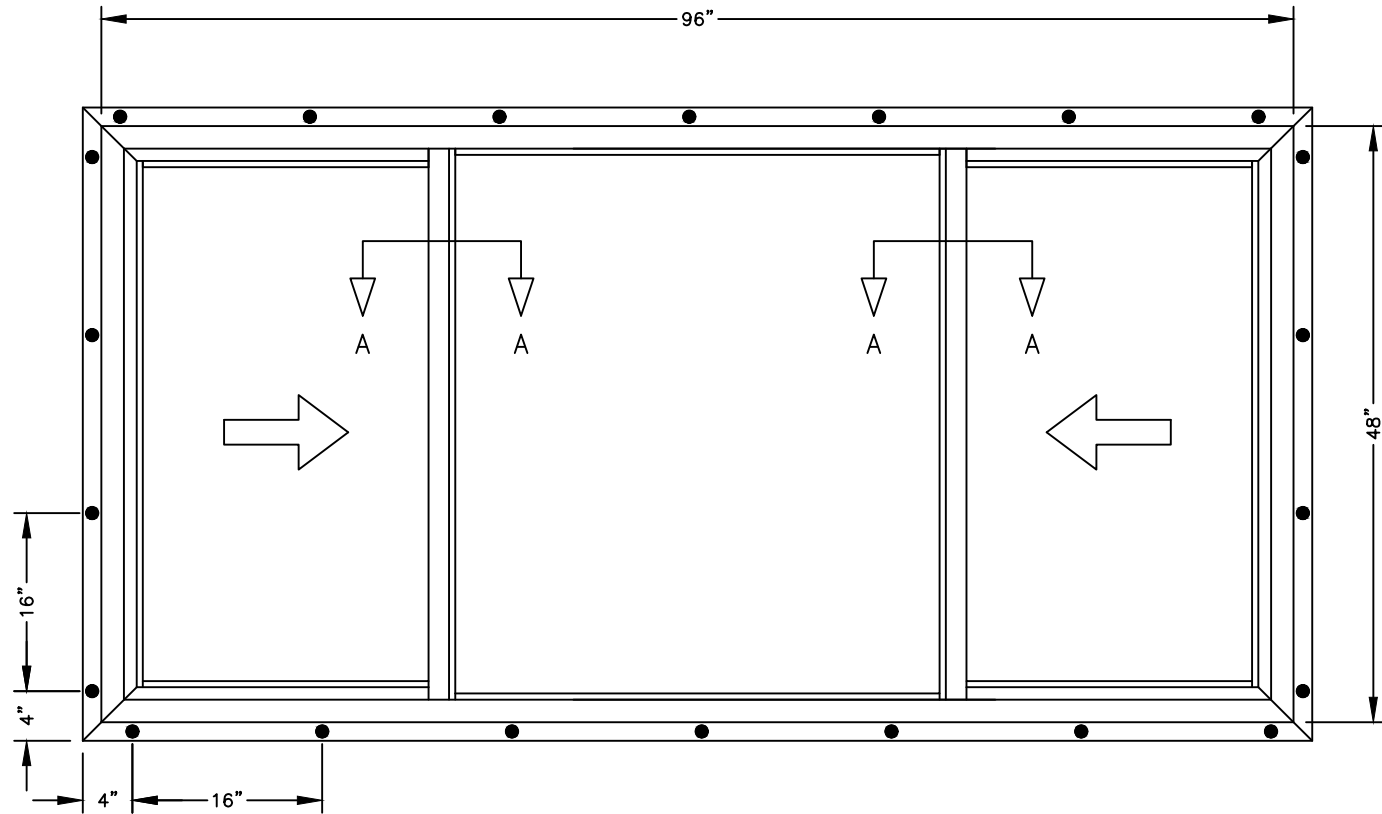
**1630 Sliding Window - non Impact
Notes**

MI Windows and Doors
702 W. Market St.
Gratz, PA 17030

Drawing No.: 27488.09-1005
Project No.: 27488.09-107-16
Drawn By: MDS REV: - Date: 12/12/23

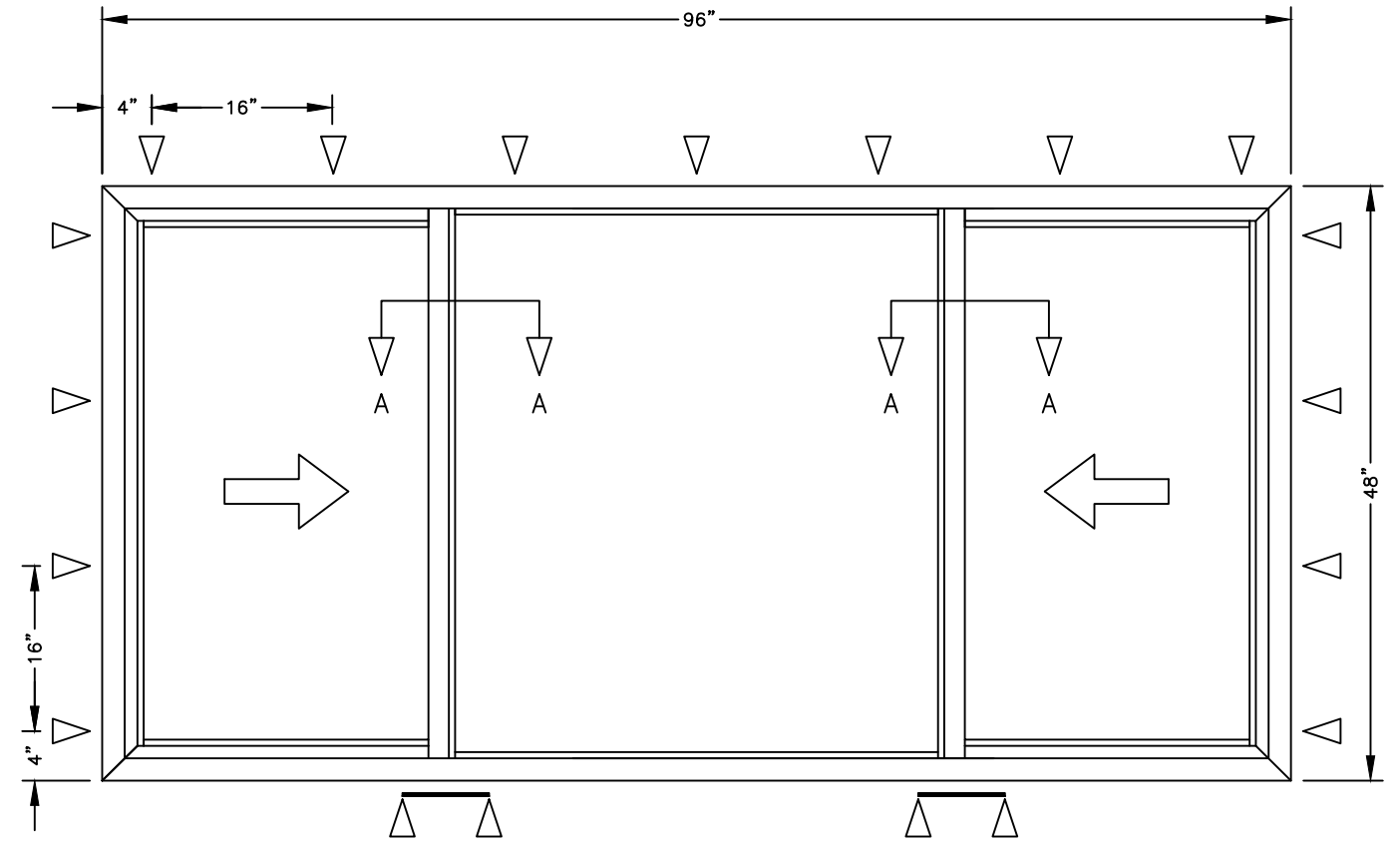
Scale: NTS

Sheet 1 of 10



1630 HORIZONTAL SLIDING WINDOW (XOX) – FIN INSTALLATION
 MAXIMUM SIZE 96" X 48"
 DESIGN PRESSURE +/- 50 PSF

- FIN ANCHOR
SEE SHEETS 4 TO 5



1630 HORIZONTAL SLIDING WINDOW (XOX) – FINLESS INSTALLATION
 MAXIMUM SIZE 96" X 48"
 DESIGN PRESSURE +/- 50 PSF

- ▽ FRAME ANCHOR
SEE SHEETS 6 TO 9

- △ INSTALLATION CLIP

This item has been digitally signed and sealed by Michael D. Stremmel, PE on the date adjacent to the seal. Printed copies of this document are not considered signed and sealed and the signature must be verified on any electronic copies.



Michael D. Stremmel, PE
 FL PE 65868
 FL REG 37122
 1410 Eden Road
 York, PA 17402
 717-916-6300

2023.12.12 06:39:21 -05'00'

1630 Sliding Window - non Impact Elevations

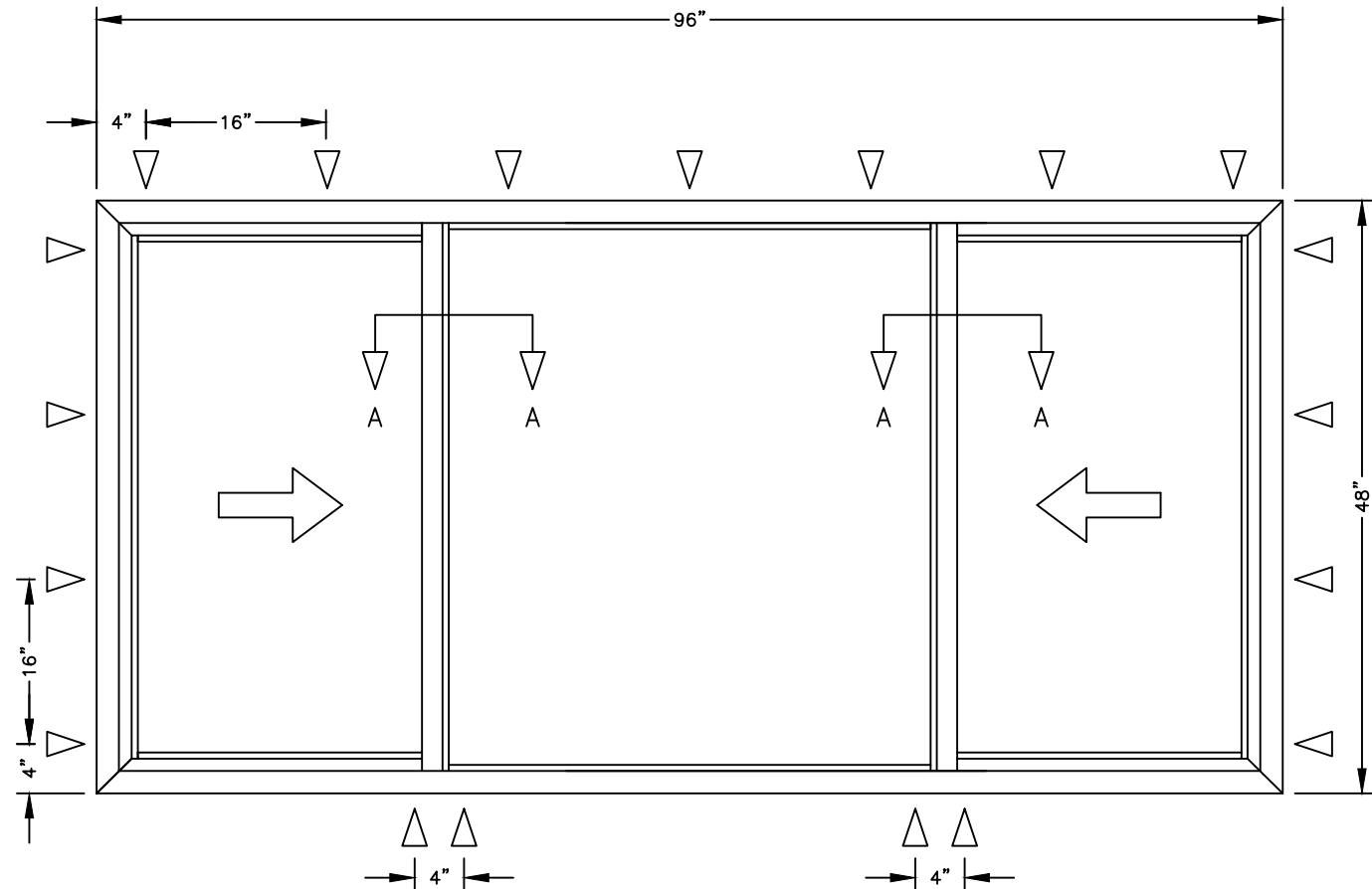
MI Windows and Doors

702 W. Market St.
 Gratz, PA 17030

Drawing No.: 27488.09-1005
 Project No.: 27488.09-107-16
 Drawn By: MDS REV: - Date:12/12/23

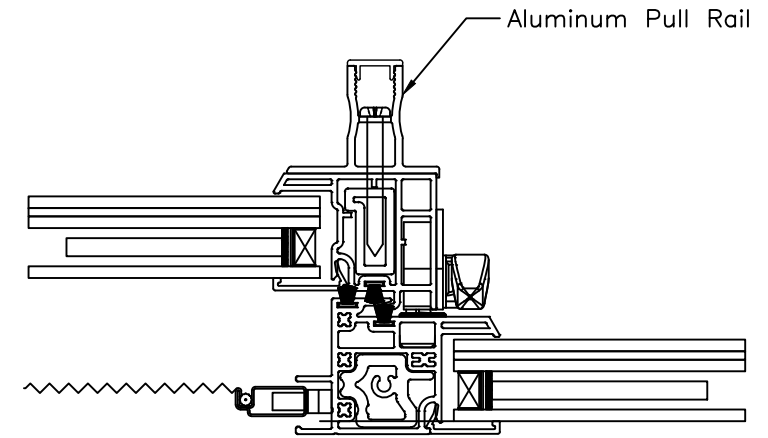
Scale: NTS

Sheet 2 of 10



1630 HORIZONTAL SLIDING WINDOW (XOX) – FINLESS INSTALLATION
 MAXIMUM SIZE 96" X 48"
 DESIGN PRESSURE +/- 50 PSF

▽ FRAME ANCHOR
 SEE SHEETS 6 TO 9



A-A SECTION AT MEETING STILE

This item has been digitally signed and sealed by Michael D. Stremmel, PE on the date adjacent to the seal. Printed copies of this document are not considered signed and sealed and the signature must be verified on any electronic copies.



Michael D. Stremmel, PE
 FL PE 65868
 FL REG 37122
 1410 Eden Road
 York, PA 17402
 717-916-6300

2023.12.12 06:39:21 -05'00'

1630 Sliding Window - non Impact Elevations

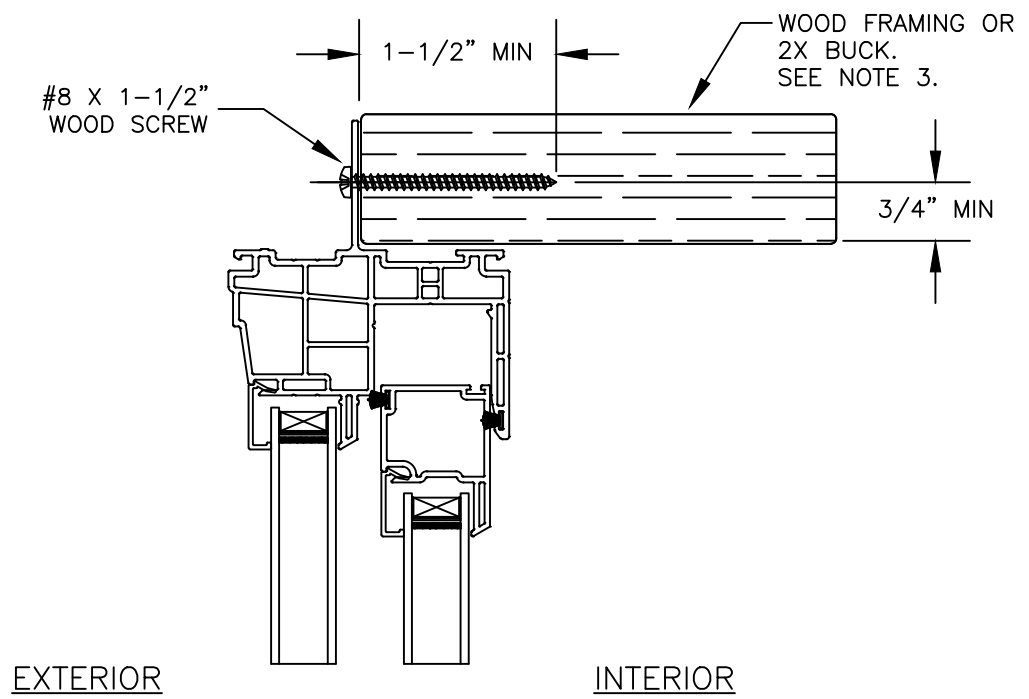
MI Windows and Doors
 702 W. Market St.
 Gratz, PA 17030

Drawing No.: 27488.09-1005
 Project No.: 27488.09-107-16
 Drawn By: MDS REV: - Date:12/12/23

Scale: NTS

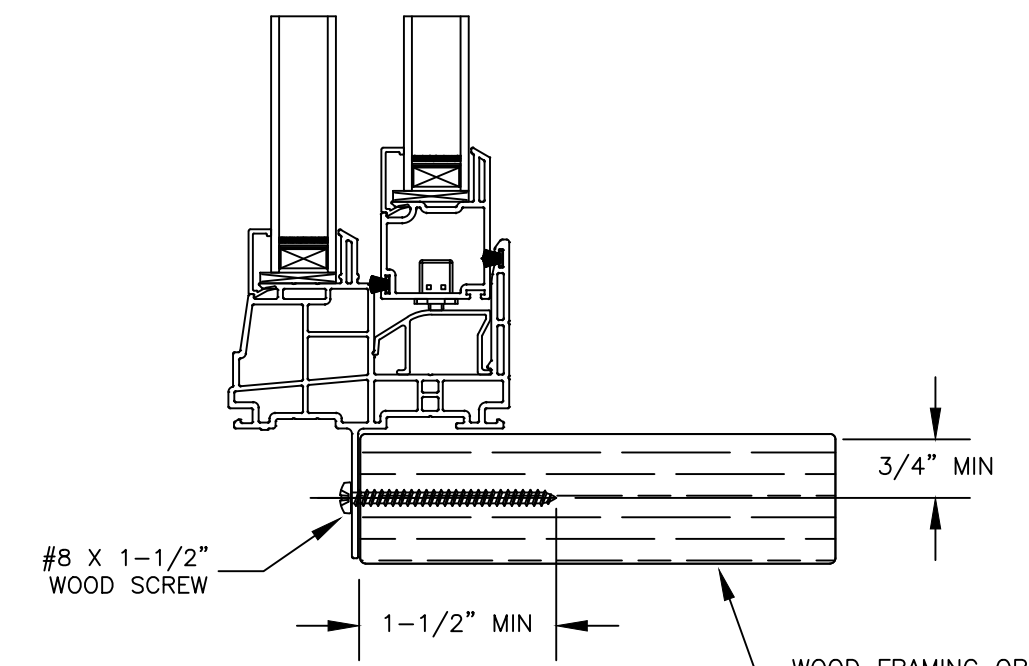
Sheet 3 of 10

HEAD



EXTERIOR

INTERIOR



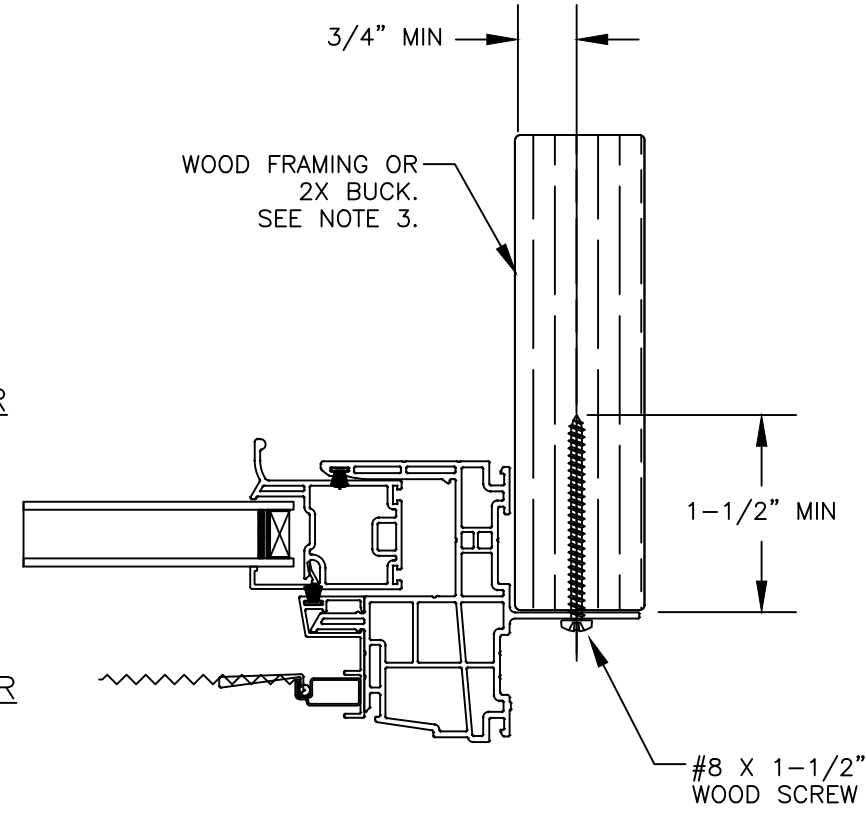
SILL

WOOD FRAMING OR 2X BUCK. SEE NOTE 3.

INTERIOR

EXTERIOR

JAMB



Note:
Waterproofing and interior finishes by others. Not shown for clarity.

This item has been digitally signed and sealed by Michael D. Stremmel, PE on the date adjacent to the seal. Printed copies of this document are not considered signed and sealed and the signature must be verified on any electronic copies.

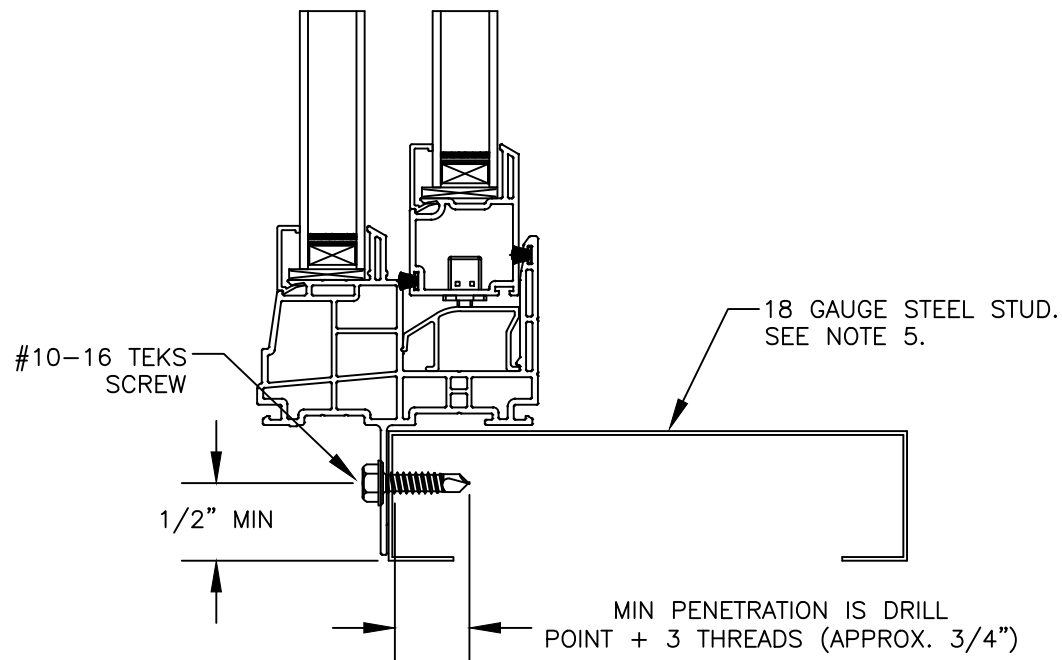
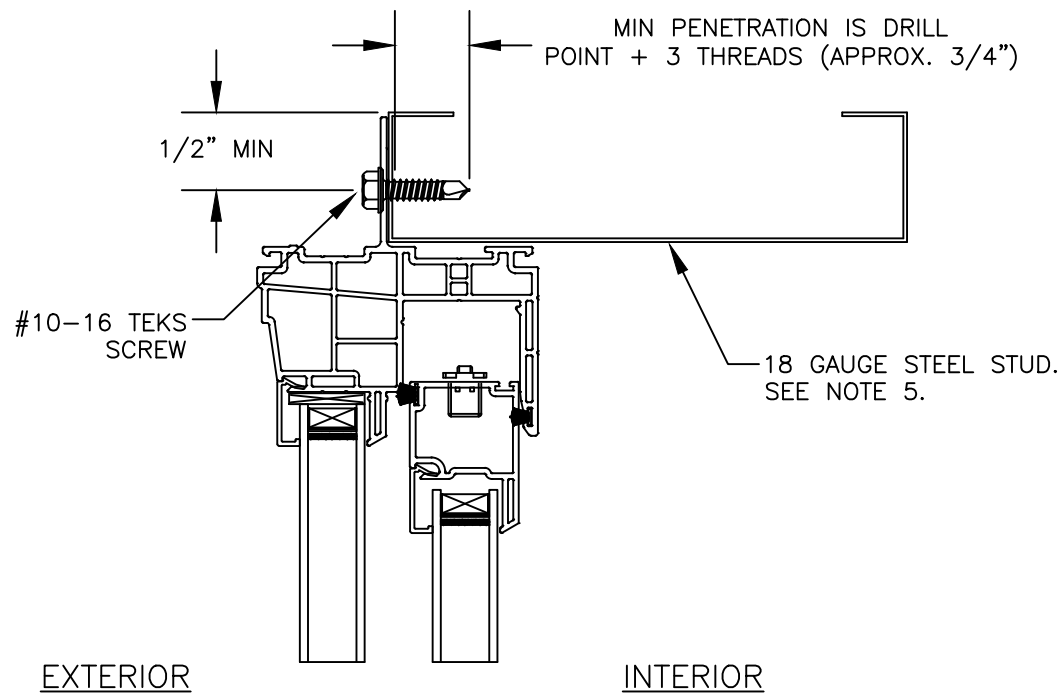


Michael D. Stremmel, PE
FL PE 65868
FL REG 37122
1410 Eden Road
York, PA 17402
717-916-6300

2023.12.12 06:39:21 -05'00'

1630 Sliding Window - non Impact Fin Installation to Wood	
MI Windows and Doors 702 W. Market St. Gratz, PA 17030	
Drawing No.: 27488.09-1005 Project No.: 27488.09-107-16 Drawn By: MDS REV: - Date:12/12/23	
Scale: NTS	Sheet 4 of 10

HEAD

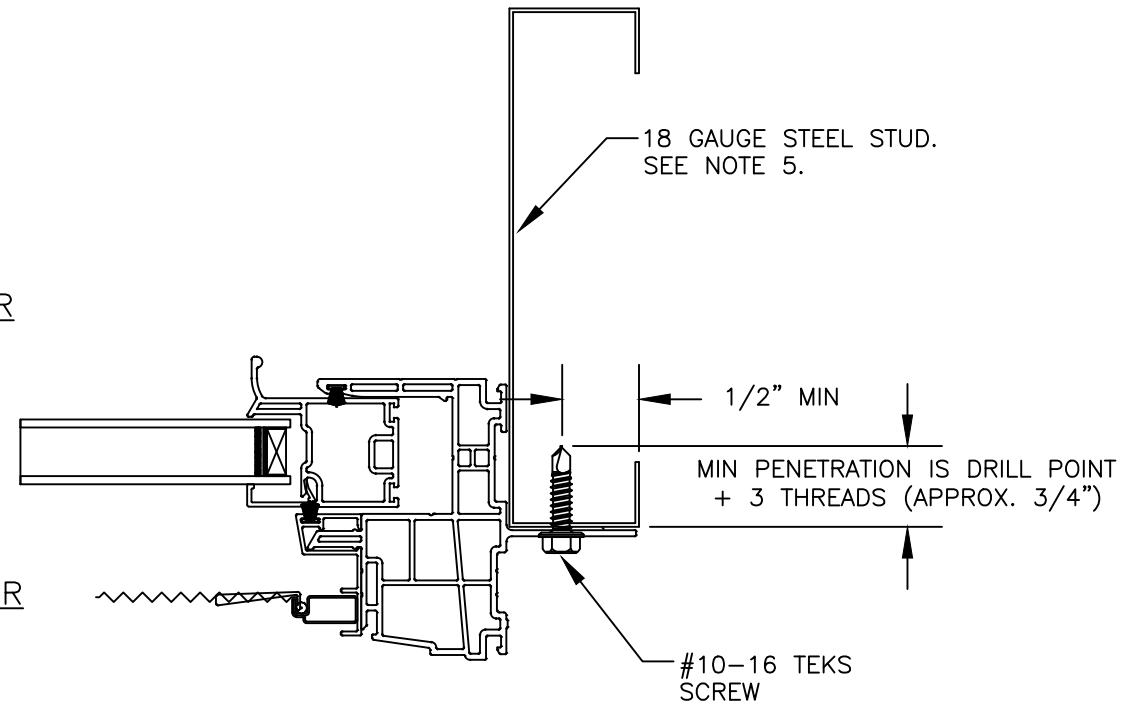


SILL

INTERIOR

EXTERIOR

JAMB



Note:
Waterproofing and interior finishes by others. Not shown for clarity.

This item has been digitally signed and sealed by Michael D. Stremmel, PE on the date adjacent to the seal. Printed copies of this document are not considered signed and sealed and the signature must be verified on any electronic copies.



Michael D. Stremmel, PE
FL PE 65868
FL REG 37122
1410 Eden Road
York, PA 17402
717-916-6300

2023.12.12 06:39:21 -05'00'

1630 Sliding Window - non Impact
Fin Installation to Steel Stud

MI Windows and Doors
702 W. Market St.
Gratz, PA 17030

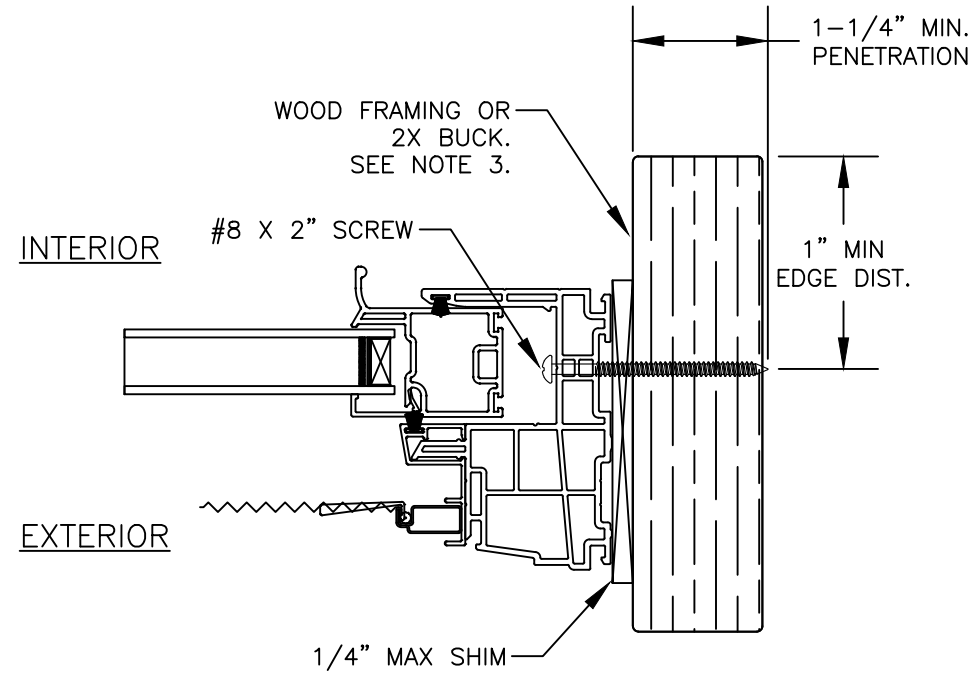
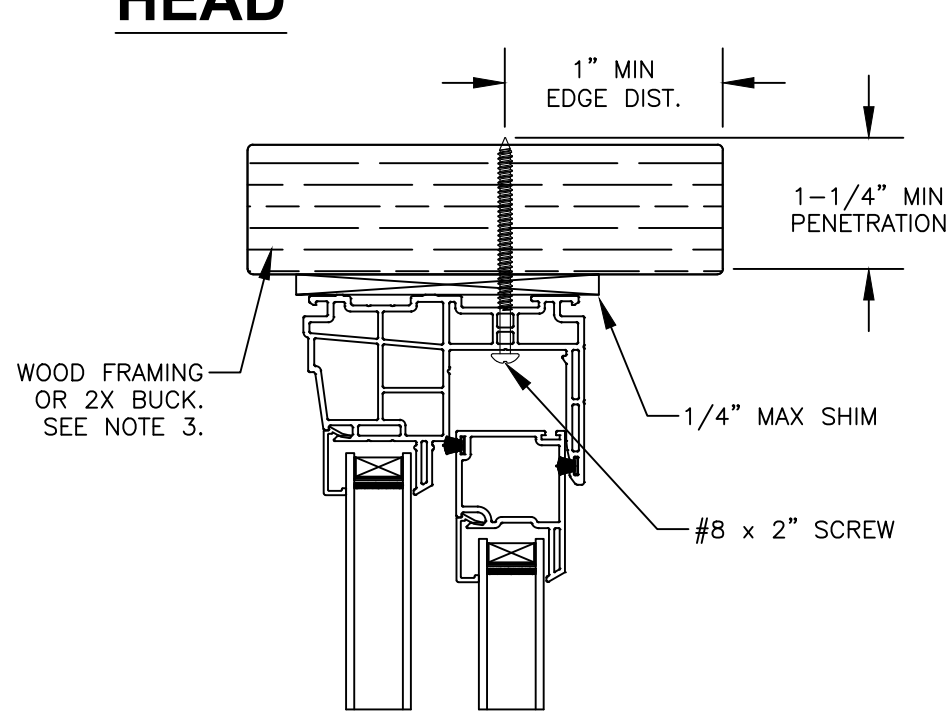
Drawing No.: 27488.09-1005
Project No.: 27488.09-107-16
Drawn By: MDS REV: - Date:12/12/23

Scale: NTS

Sheet 5 of 10

Note:
Waterproofing and interior finishes by others. Not shown for clarity.

HEAD



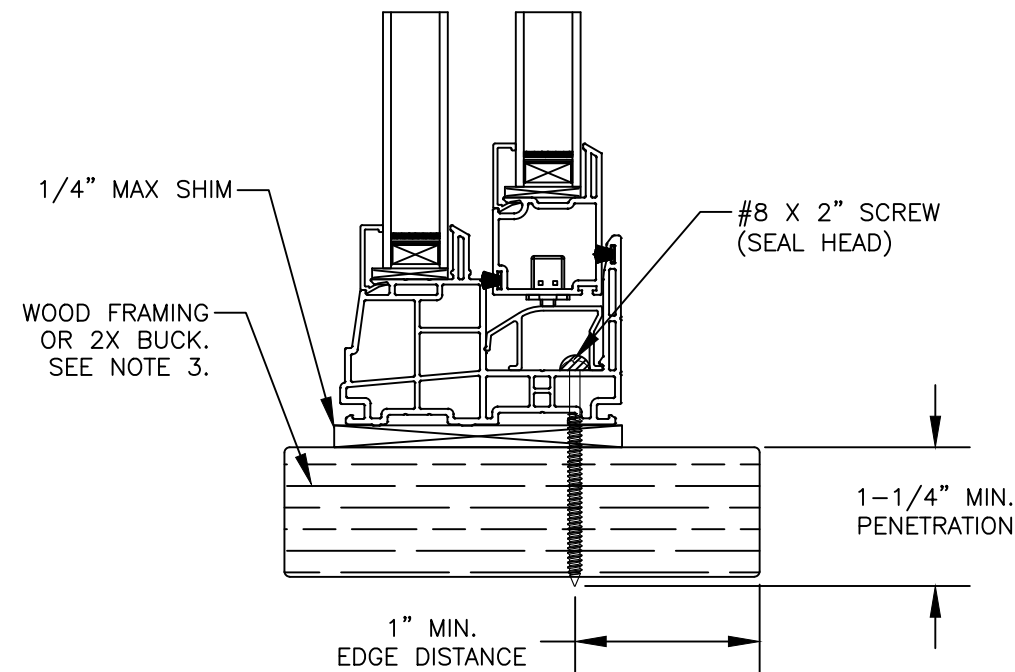
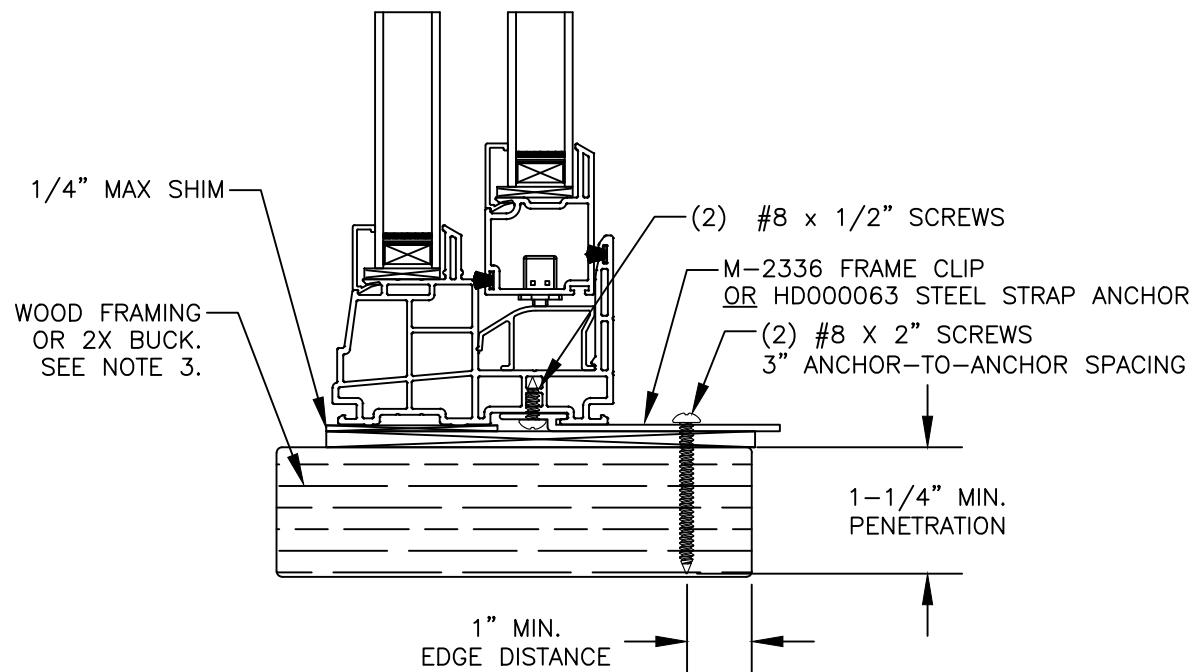
JAMB

EXTERIOR

INTERIOR

EXTERIOR

INTERIOR



SILL (ANCHOR PLATE)

SILL (THROUGH FRAME)

This item has been digitally signed and sealed by Michael D. Stremmel, PE on the date adjacent to the seal. Printed copies of this document are not considered signed and sealed and the signature must be verified on any electronic copies.



Michael D. Stremmel, PE
FL PE 65868
FL REG 37122
1410 Eden Road
York, PA 17402
717-916-6300

2023.12.12 06:39:21 -05'00'

Michael D. Stremmel

**1630 Sliding Window - non Impact
Frame Installation to Wood**

MI Windows and Doors

702 W. Market St.
Gratz, PA 17030

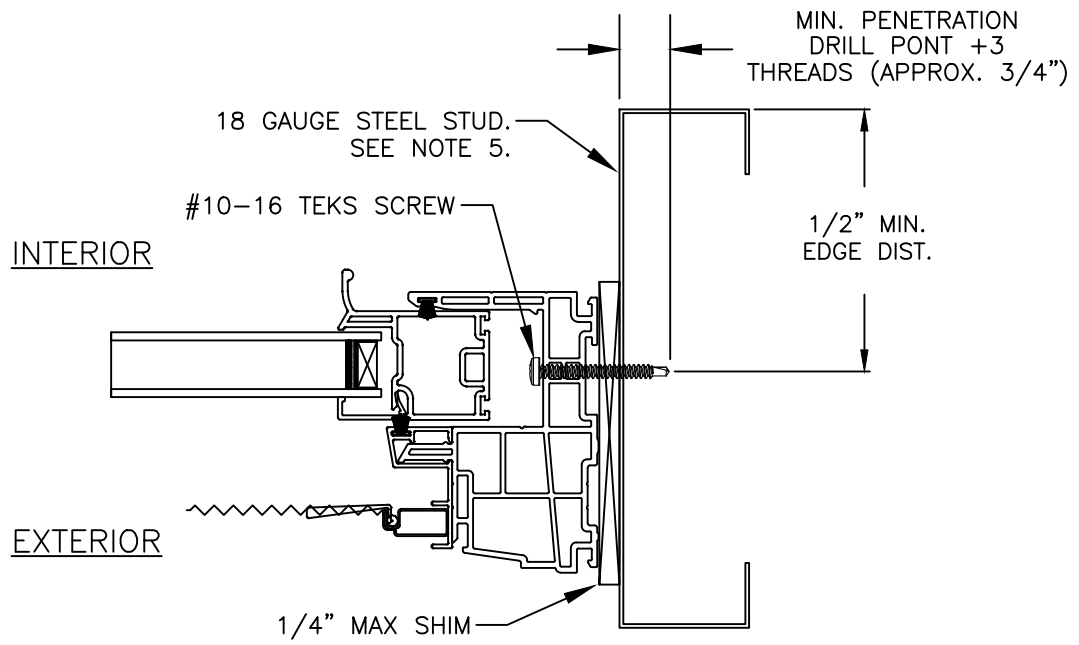
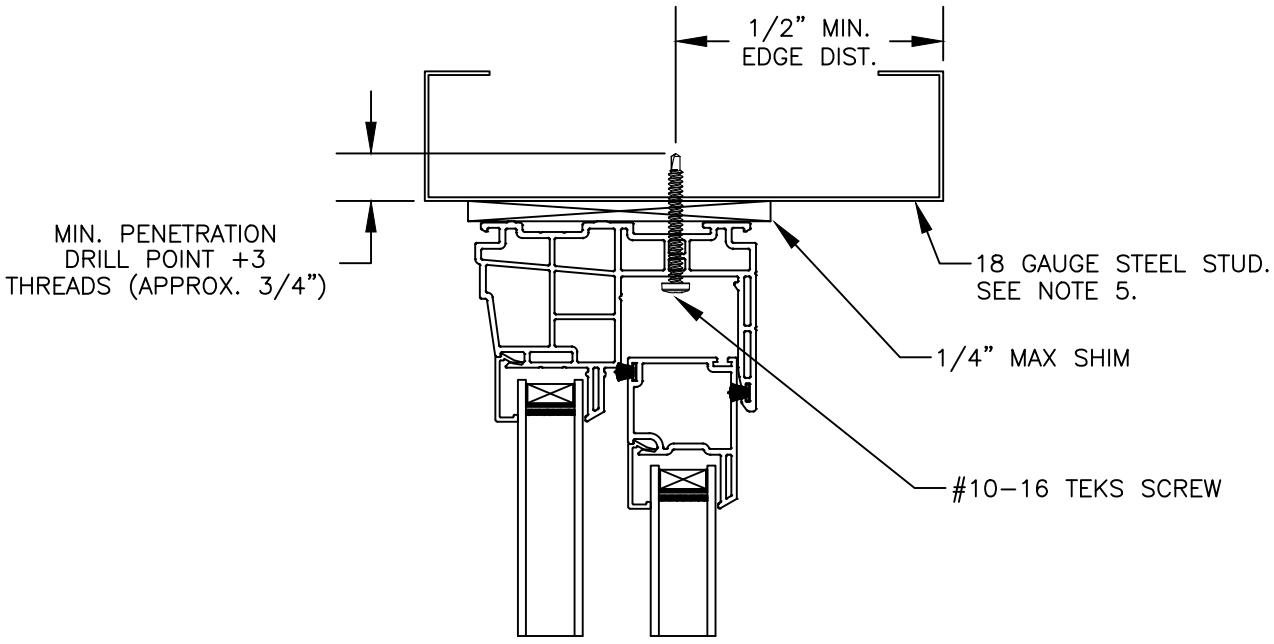
Drawing No.: 27488.09-1005
Project No.: 27488.09-107-16
Drawn By: MDS REV: - Date:12/12/23

Scale: NTS

Sheet 6 of 10

Note:
Waterproofing and interior finishes by others. Not shown for clarity.

HEAD



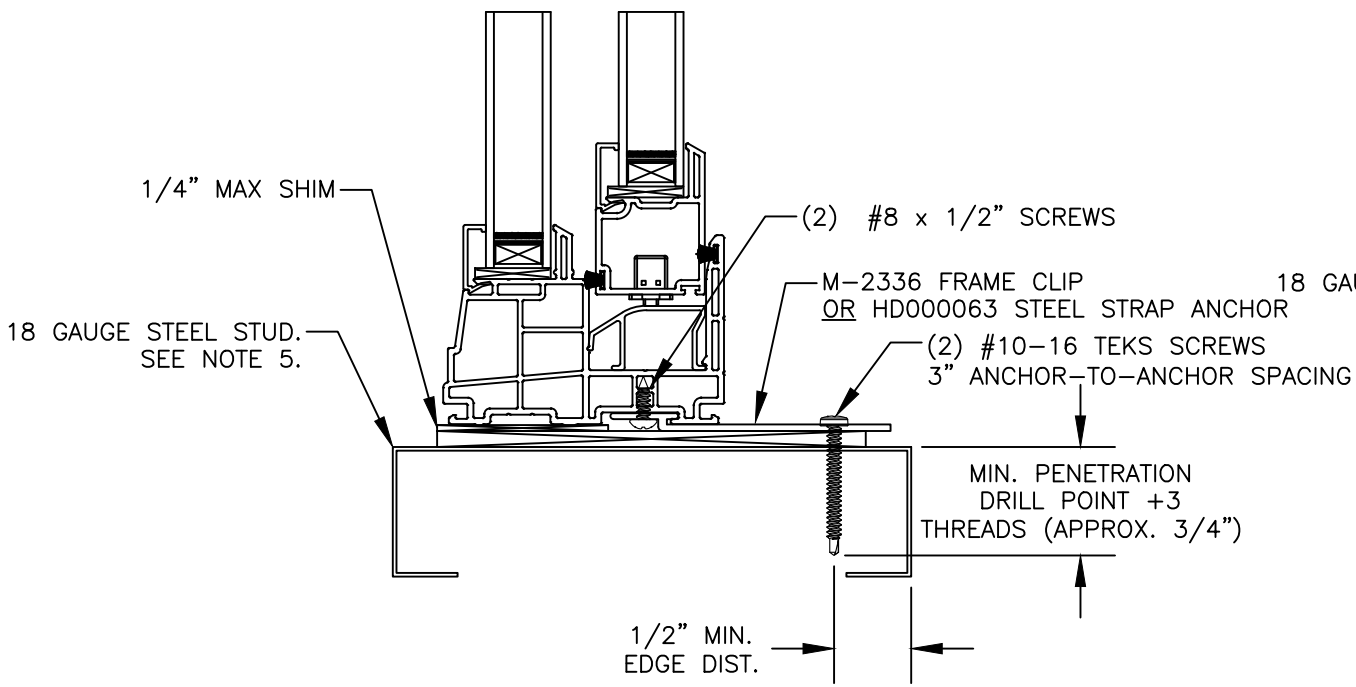
JAMB

EXTERIOR

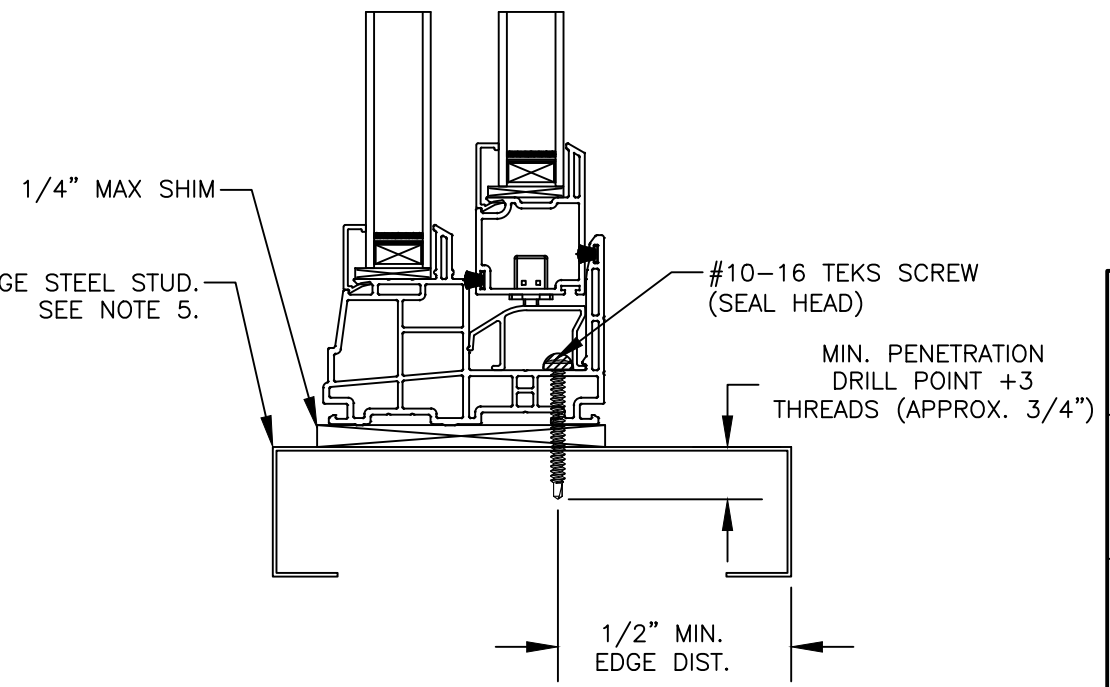
INTERIOR

EXTERIOR

INTERIOR



SILL (ANCHOR PLATE)



SILL (THROUGH FRAME)

This item has been digitally signed and sealed by Michael D. Stremmel, PE on the date adjacent to the seal. Printed copies of this document are not considered signed and sealed and the signature must be verified on any electronic copies.



Michael D. Stremmel, PE
FL PE 65868
FL REG 37122
1410 Eden Road
York, PA 17402
717-916-6300

2023.12.12 06:39:21 -05'00'

Michael D. Stremmel

1630 Sliding Window - non Impact Frame Installation to Steel Stud

MI Windows and Doors

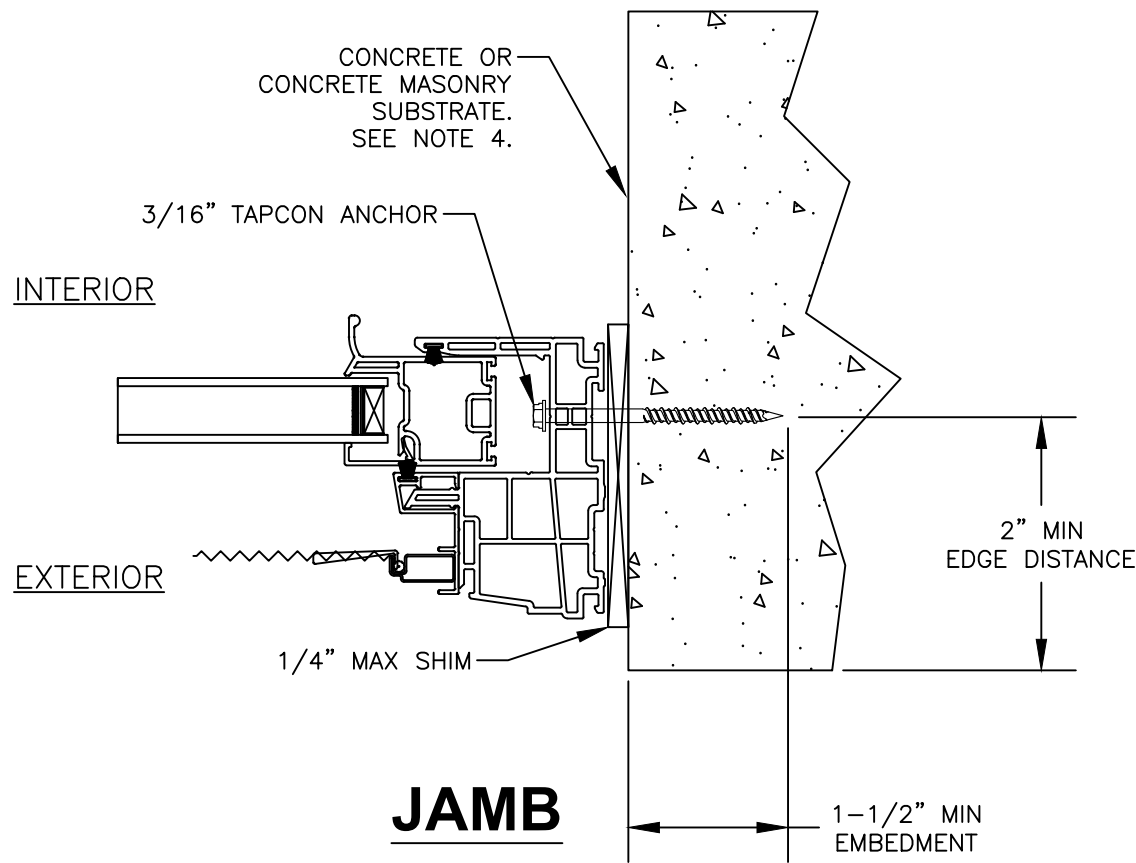
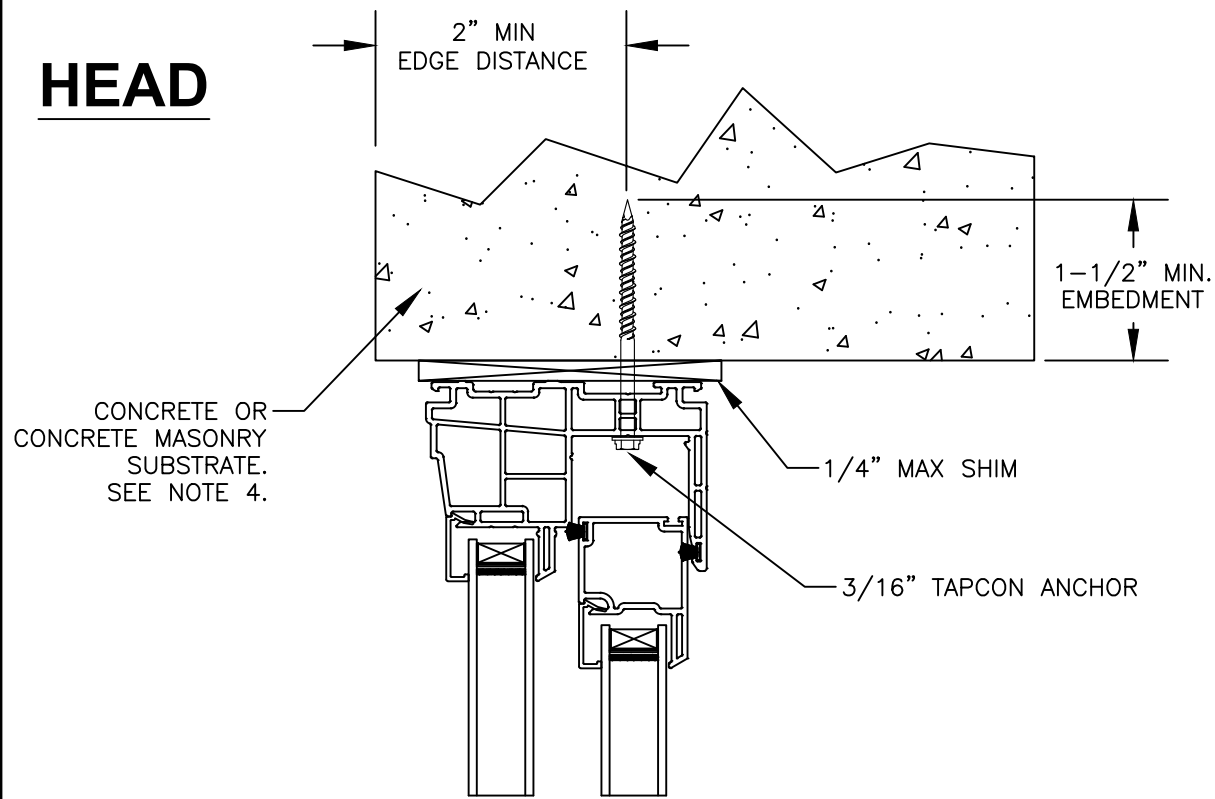
702 W. Market St.
Gratz, PA 17030

Drawing No.: 27488.09-1005
Project No.: 27488.09-107-16
Drawn By: MDS REV: - Date:12/12/23

Scale: NTS

Sheet 7 of 10

HEAD



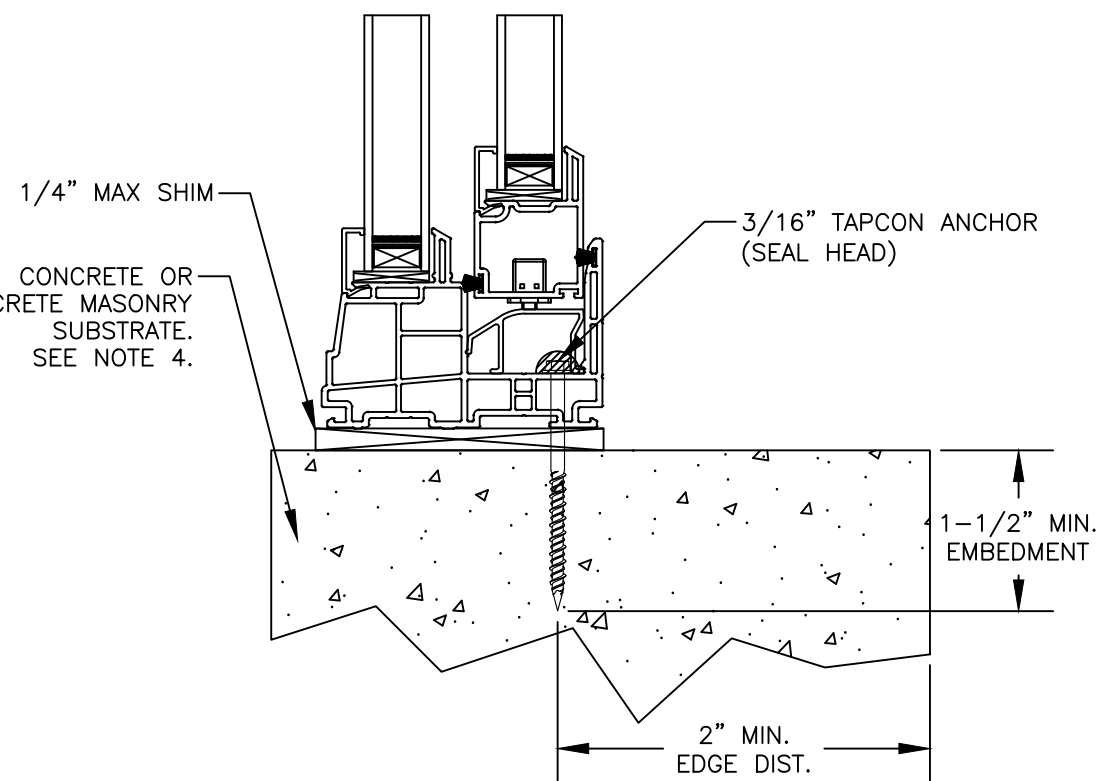
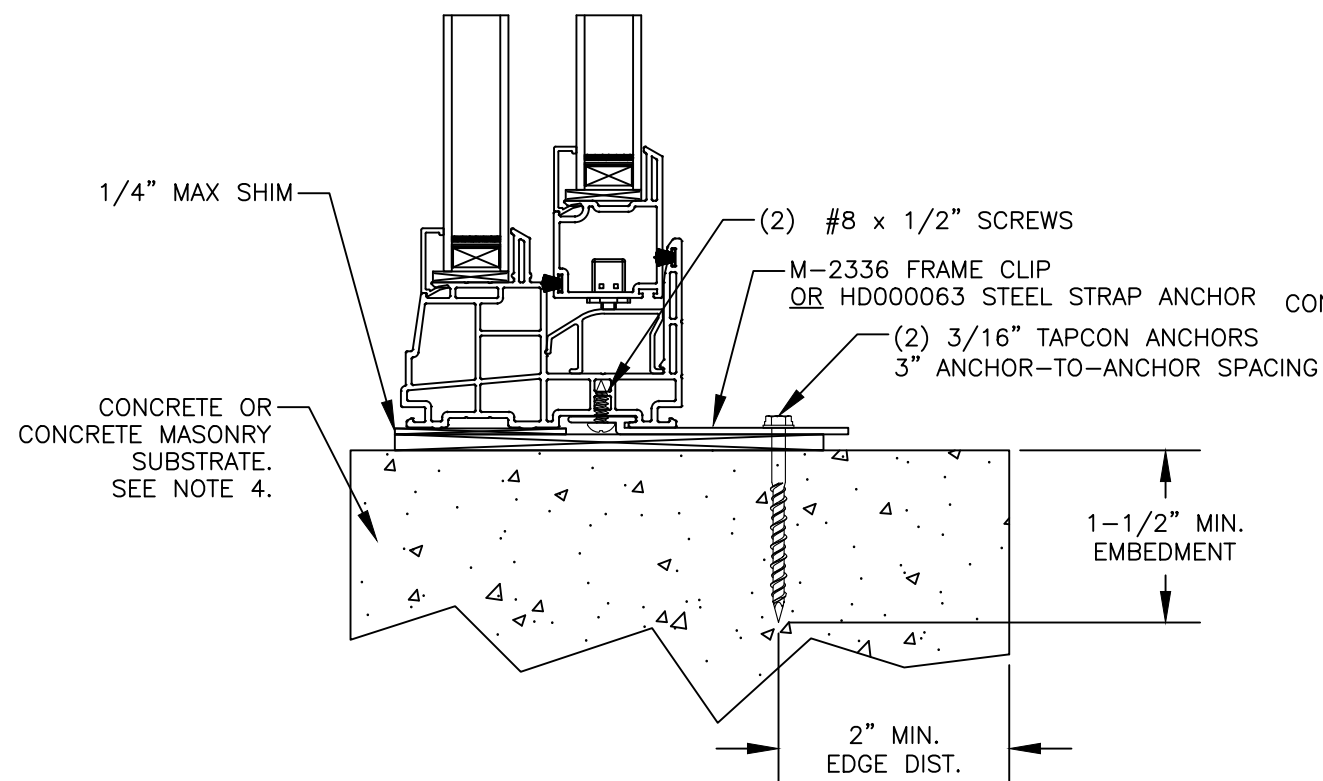
Note:
Waterproofing and interior finishes by others. Not shown for clarity.

EXTERIOR

INTERIOR

EXTERIOR

INTERIOR



SILL (ANCHOR PLATE)

SILL (THROUGH FRAME)

This item has been digitally signed and sealed by Michael D. Stremmel, PE on the date adjacent to the seal. Printed copies of this document are not considered signed and sealed and the signature must be verified on any electronic copies.



Michael D. Stremmel, PE
FL PE 65868
FL REG 37122
1410 Eden Road
York, PA 17402
717-916-6300

2023.12.12 06:39:21 -05'00'

Michael D. Stremmel

**1630 Sliding Window - non Impact
Frame Installation to Concrete/CMU**

MI Windows and Doors

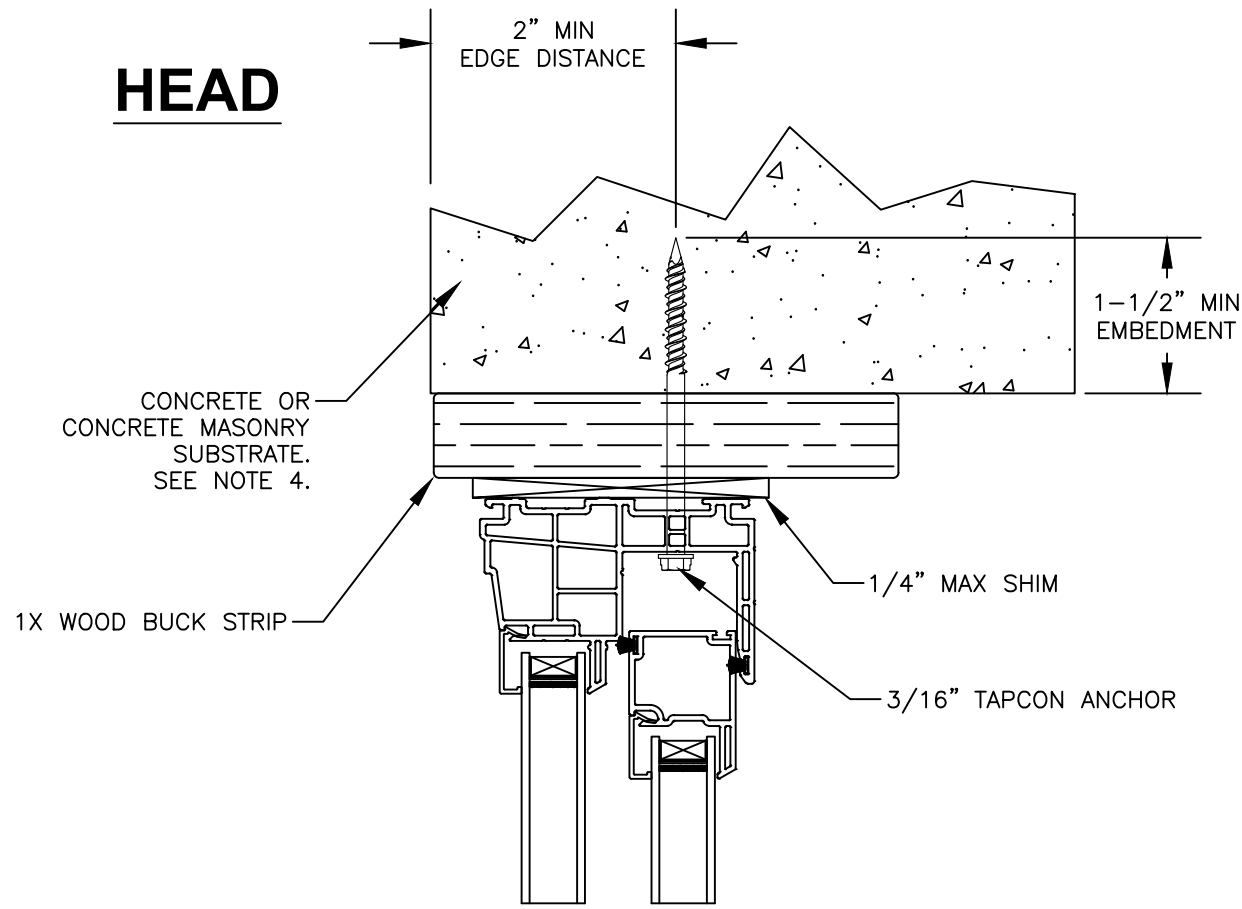
702 W. Market St.
Gratz, PA 17030

Drawing No.: 27488.09-1005
Project No.: 27488.09-107-16
Drawn By: MDS REV: - Date: 12/12/23

Scale: NTS

Sheet 8 of 10

HEAD

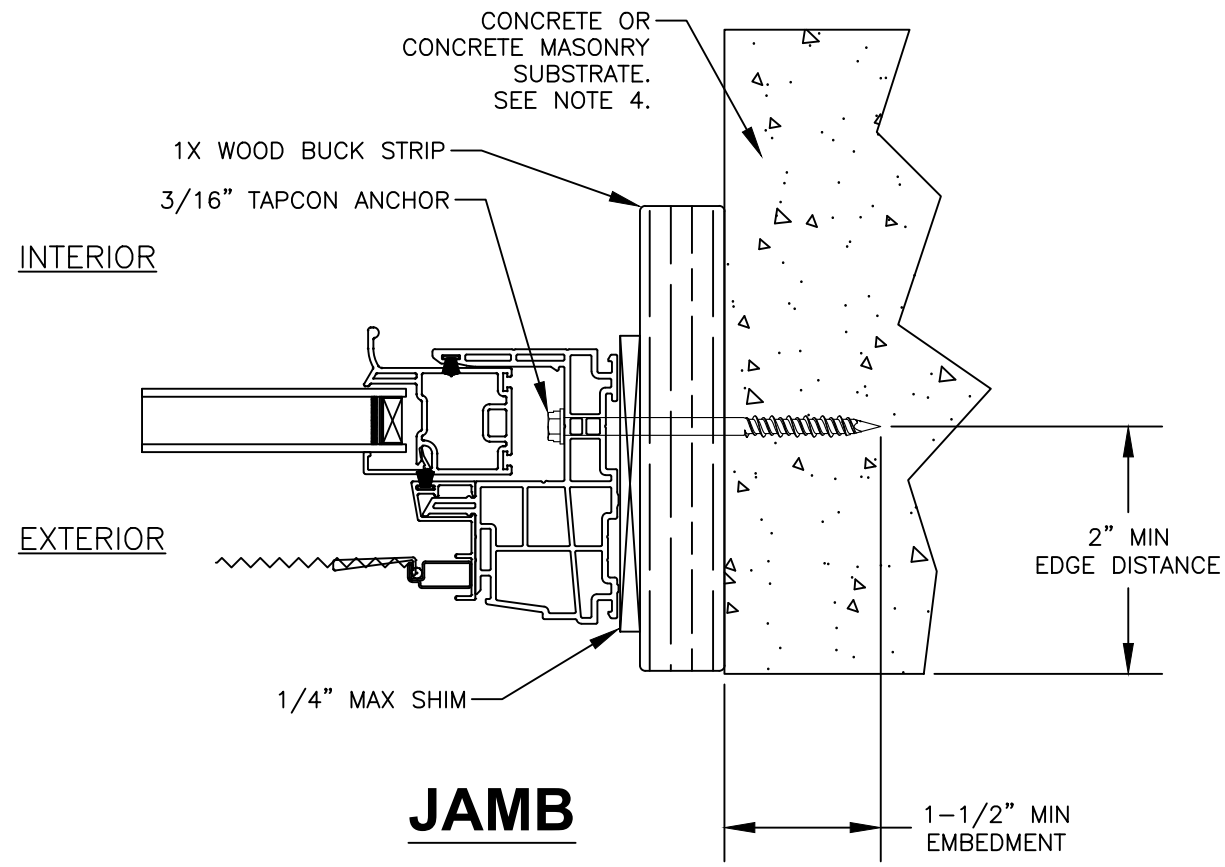


EXTERIOR

INTERIOR

Note:
Waterproofing and interior finishes by others. Not shown for clarity.

JAMB



INTERIOR

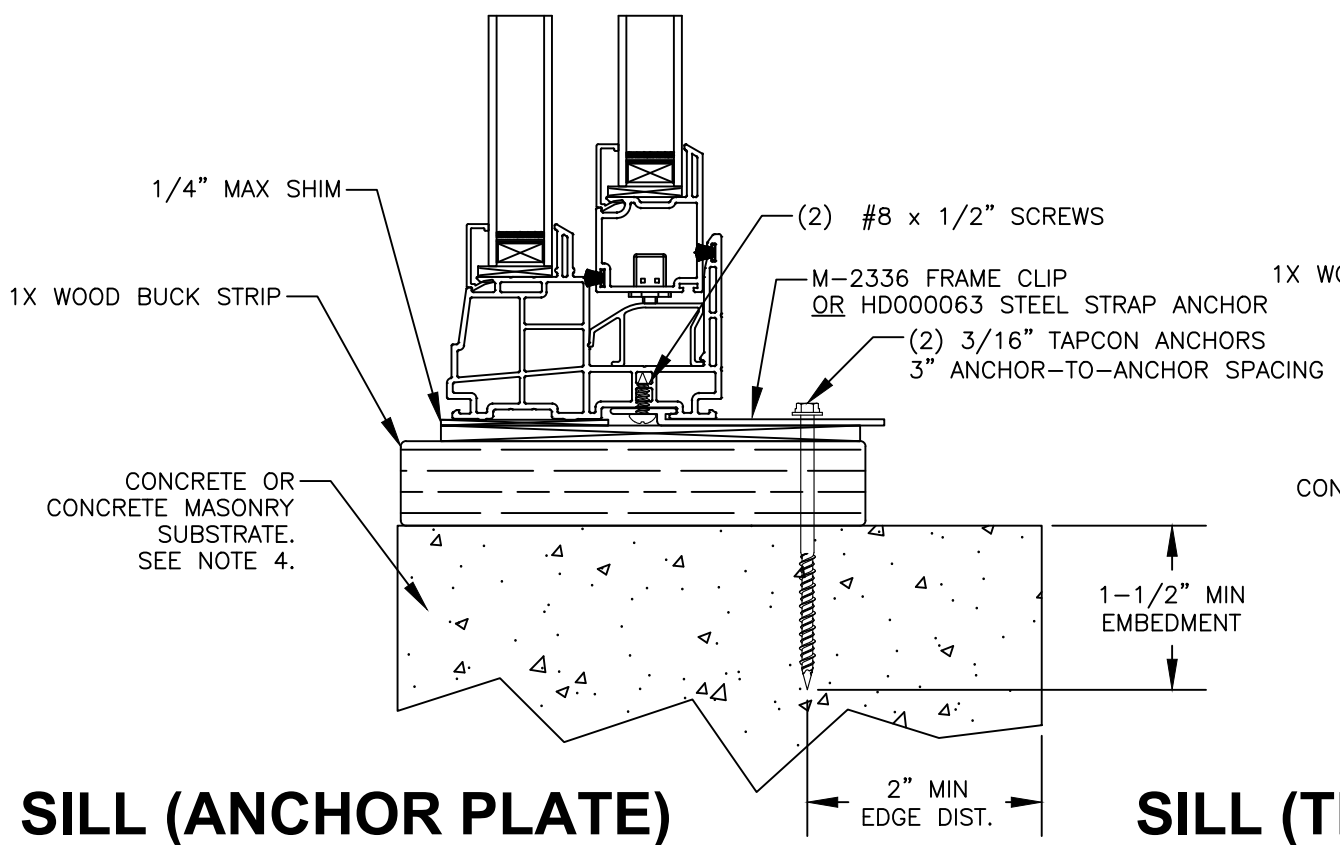
EXTERIOR

1-1/2" MIN EMBEDMENT

2" MIN EDGE DISTANCE

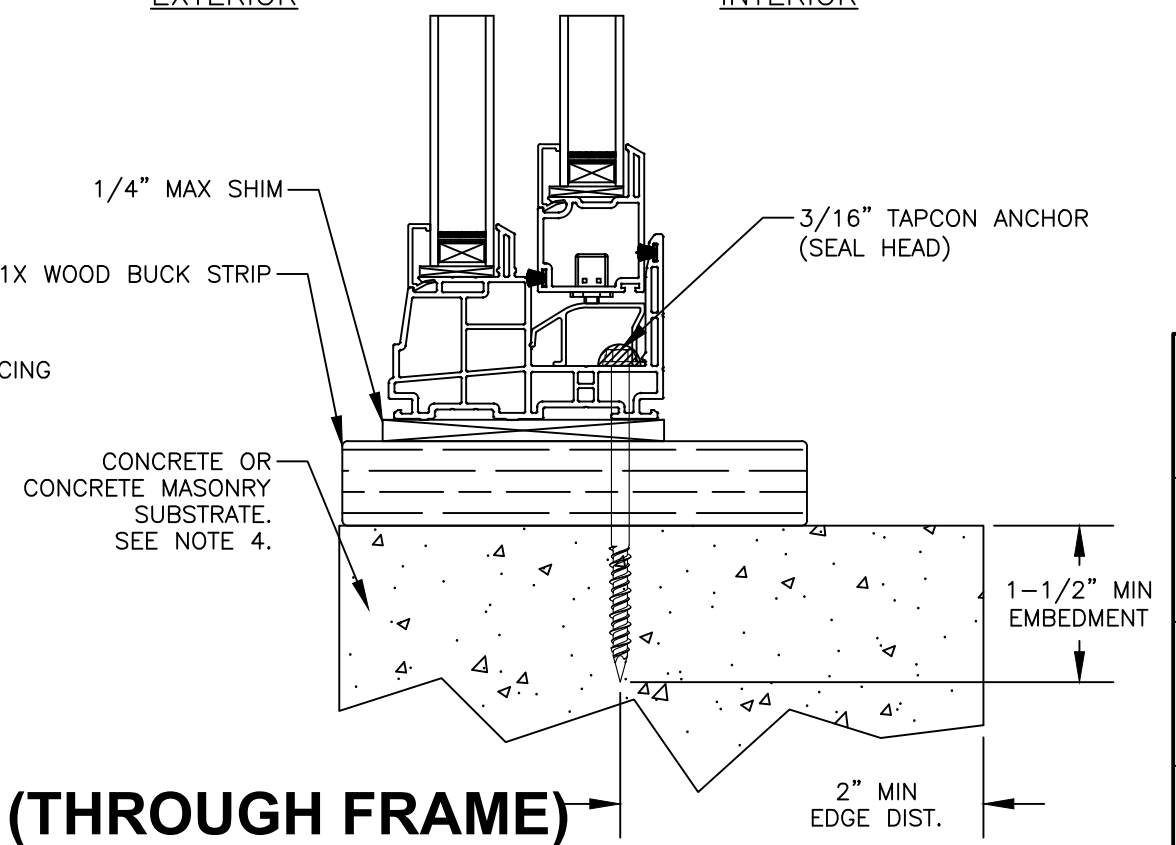
EXTERIOR

INTERIOR



SILL (ANCHOR PLATE)

SILL (THROUGH FRAME)



This item has been digitally signed and sealed by Michael D. Stremmel, PE on the date adjacent to the seal. Printed copies of this document are not considered signed and sealed and the signature must be verified on any electronic copies.



Michael D. Stremmel, PE
FL PE 65868
FL REG 37122
1410 Eden Road
York, PA 17402
717-916-6300

2023.12.12 06:39:21 -05'00'

Michael D. Stremmel

**1630 Sliding Window - non Impact
Frame Installation to Concrete/CMU**

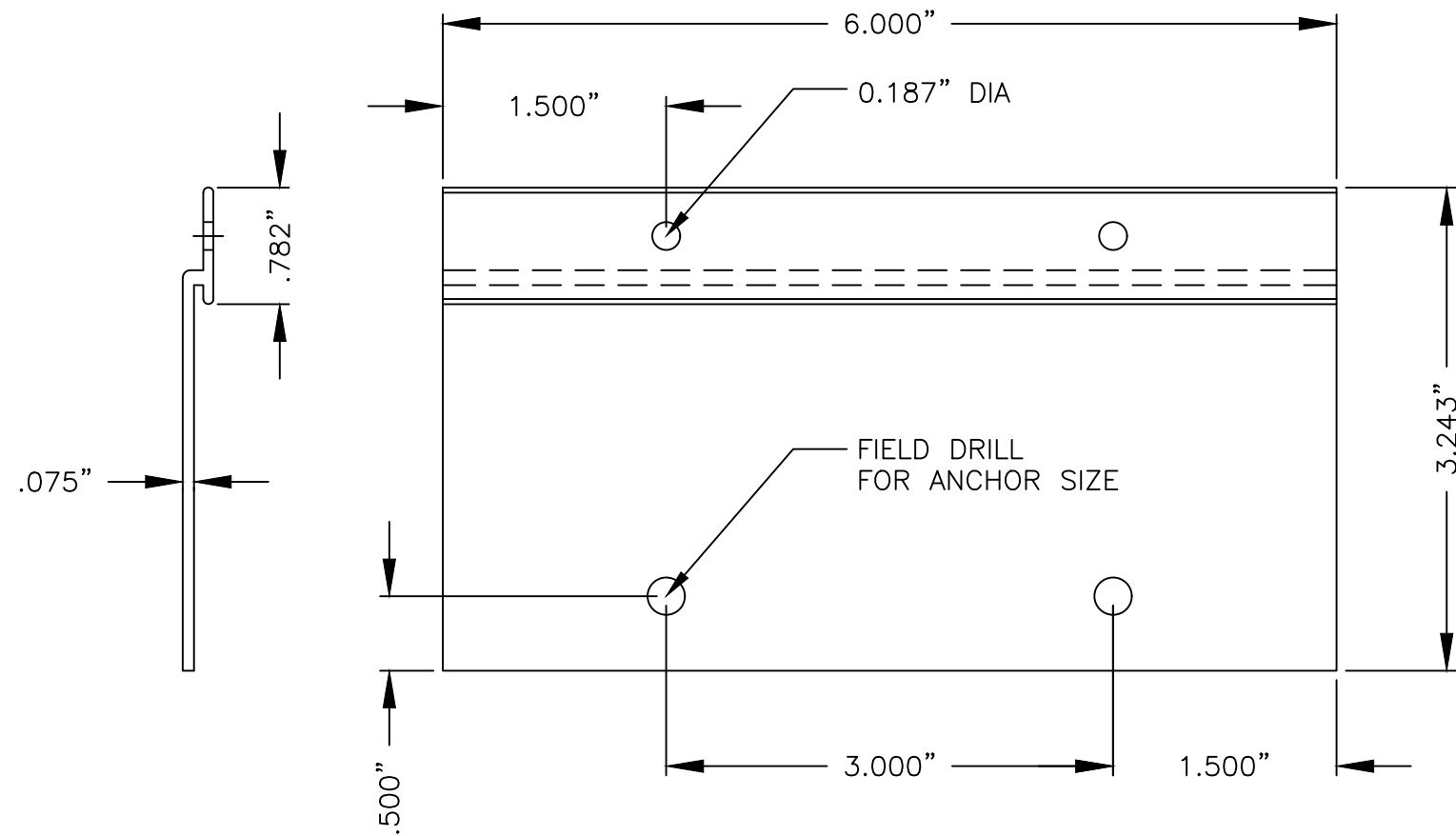
MI Windows and Doors

702 W. Market St.
Gratz, PA 17030

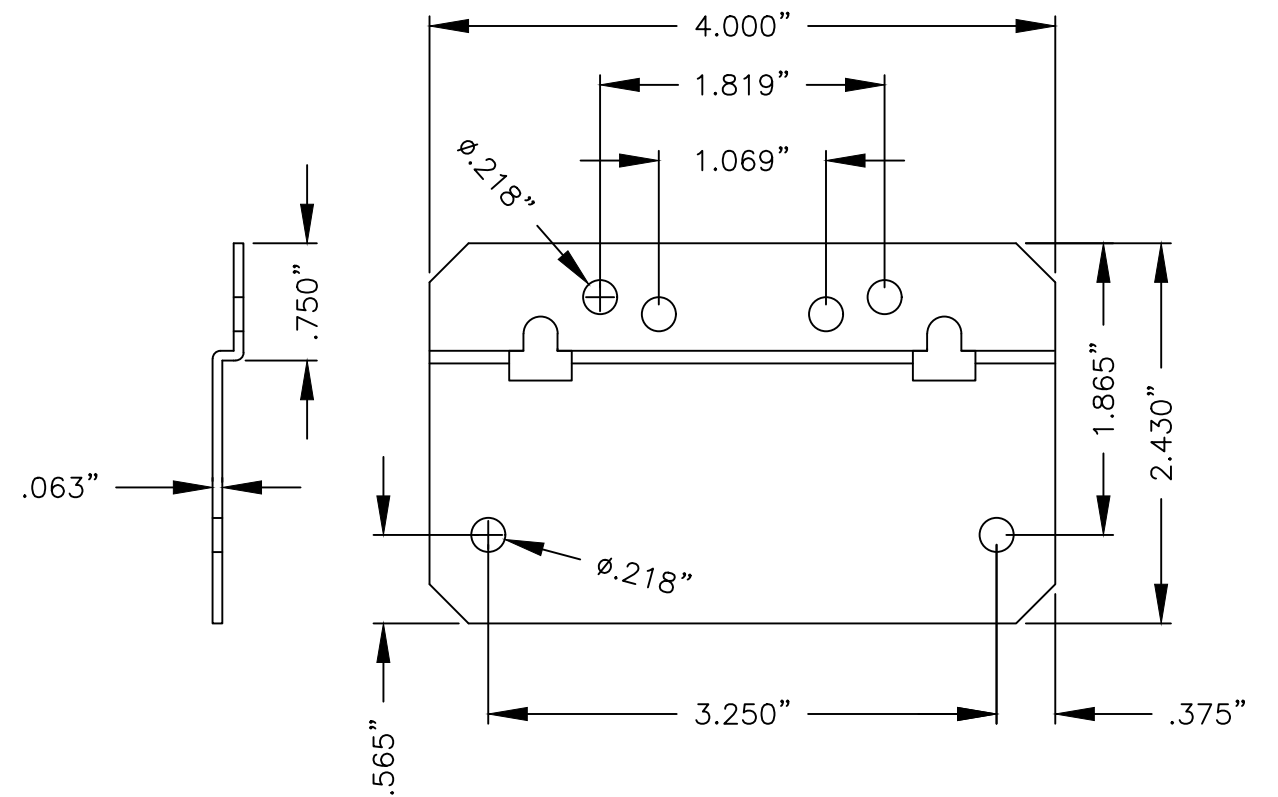
Drawing No.: 27488.09-1005
Project No.: 27488.09-107-16
Drawn By: MDS REV: - Date: 12/12/23

Scale: NTS

Sheet 9 of 10

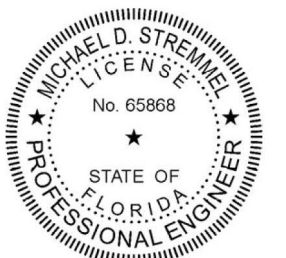


M-2336 FRAME CLIP
6063-T5 ALUMINUM



HD000063 ANCHOR STRAP
COLD ROLLED STEEL (GALVANIZED)

This item has been digitally signed and sealed by Michael D. Stremmel, PE on the date adjacent to the seal. Printed copies of this document are not considered signed and sealed and the signature must be verified on any electronic copies.



Michael D. Stremmel, PE
FL PE 65868
FL REG 37122
1410 Eden Road
York, PA 17402
717-916-6300

2023.12.12 06:39:21 -05'00'

1630 Sliding Window - non Impact
Installation Accessories

MI Windows and Doors
702 W. Market St.
Gratz, PA 17030

Drawing No.: 27488.09-1005
Project No.: 27488.09-107-16
Drawn By: MDS REV: - Date:12/12/23

Scale: NTS

Sheet 10 of 10